

- NOTES:
- MATERIAL: HOUSING: NYLON 4/6 30% G.F., UL 94 V-0, NATURAL (BEIGE)  
TERMINAL- CARTRIDGE BRASS (0.28)/.011 REF THICK
  - PLATING:  
TIN: TIN (3-5UM)/120uin-200uin OVER (1.27um)/51uin MIN NICKEL.  
GOLD: (0.76UM)/30UIN SELECTIVE GOLD AND (0.10-0.20UM)/4UIN-8UIN GOLD FLASH OVER (1.27UM)/50UIN NICKEL UNDERCOAT
  - MATES WITH MOLEX 90327 PART SERIES
  - ALL SMT TAILS TO LIE WITHIN A COPLANARITY BAND OF (0.0)/.0 - (0.15)/.006 REF. FROM EACH OTHER.
  - FOR TAPE & REEL PACKAGING DETAILS SEE SDA-90814-9001
  - PCB PEGS ARE OPTIONAL
  - PCB LAYOUT SHOWN ON SHEET 2

90814 - \*\*

CIRCUIT SIZE

	PCB PEGS	TUBE PACKED	TAPE & REEL PACKED	POLARIZING PEG HEIGHT DIMM. E
0	YES	YES	NO	(6.40)/ .252
2	YES	NO	YES	(6.40)/ .252
3	NO	YES	NO	(6.40)/ .252
5	NO	NO	YES	(6.40)/ .252
6	NO	YES	NO	(4.10)/ .161
7	NO	NO	YES	(4.10)/ .161
8	YES	YES	NO	(4.10)/ .161
9	YES	NO	YES	(4.10)/ .161

0= (3-5UM)/120-200UIN TIN VERSION  
3= (0.76UM)/30UIN GOLD VERSION

90814-**-34	34	(46.96)/1.849	(41.91)/1.650	(45.76)/1.802	10	NO
90814-**-26	26	(36.80)/1.449	(31.75)/1.250	(35.60)/1.402	14	YES
90814-**-24	24	(34.26)/1.349	(29.21)/1.150	(33.06)/1.302	15	YES
90814-**-22	22	(31.72)/1.249	(26.67)/1.050	(30.52)/1.202	16	YES
90814-**-20	20	(29.18)/1.149	(24.13)/ .950	(27.98)/1.102	18	YES
90814-**-18	18	(26.64)/1.049	(21.59)/ .850	(25.44)/1.002	20	YES
90814-**-16	16	(24.10)/ .949	(19.05)/ .750	(22.90)/ .902	22	YES
90814-**-14	14	(21.56)/ .849	(16.51)/ .650	(20.36)/ .802	25	YES
90814-**-12	12	(19.02)/ .749	(13.97)/ .550	(17.82)/ .702	28	YES
90814-**-10	10	(16.48)/ .649	(11.43)/ .450	(15.28)/ .602	32	YES
90814-**-08	8	(13.94)/ .549	(8.89)/ .350	(12.74)/ .502	38	YES
90814-**-06	6	(11.40)/ .449	(6.35)/ .250	(10.20)/ .402	46	YES
90814-**-04	4	(8.86)/ .349	(3.81)/ .150	(7.66)/ .302	60	YES
PART NO.	NUMBER OF CKTS	DIMM. A	DIMM. B	DIMM. C	QUANTITY OF PARTS PER TUBE (-0**/-*3**/-*6** & -*8** VERSIONS)	TOOLED

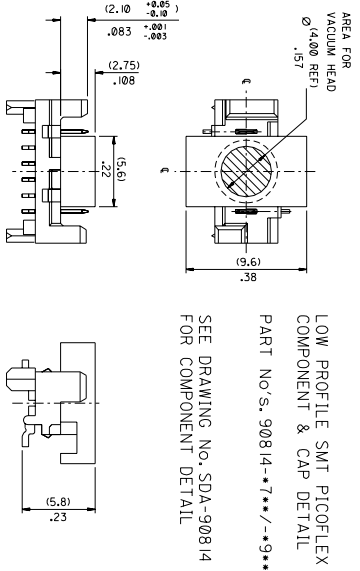
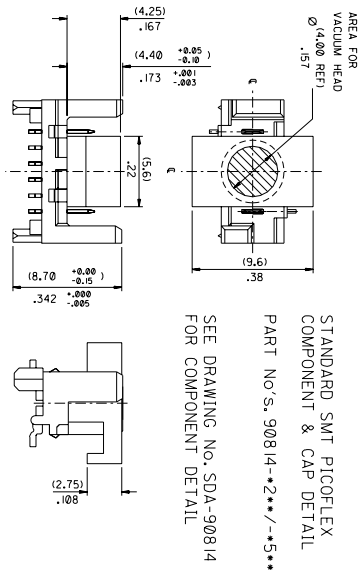
EDIT TUBE QUANTITY  
EC NO: E2006-0091  
DRAWN: GMSWEN 2005/08/17  
CHKD: IDEMEHY 2005/08/17  
APPR: IDEMEHY 2005/08/17  
REV DESCRIPTION

QUALITY SYMBOLS  
=0  
=0  
GENERAL TOLERANCES (UNLESS SPECIFIED)  
mm INCH  
4 PLACES ± --- ± ---  
3 PLACES ± --- ± .004  
2 PLACES ± 0.10 ± ---  
1 PLACE ± --- ± ---  
ANGULAR ±1/2°  
DRAFT WHERE APPLICABLE MUST REMAIN WITHIN DIMENSIONS

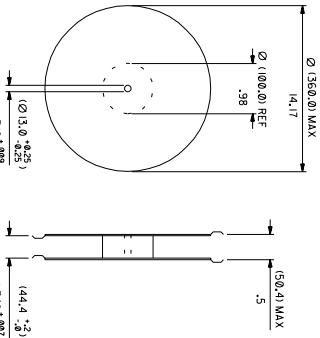
DIMENSION STYLE  
MM/IN  
DRAWN BY DATE  
DMCNAMAR 2001/08/16  
CHECKED BY DATE  
PCURT IN 2001/08/16  
APPROVED BY DATE  
MWILHITE 2001/08/16  
MATERIAL NO.  
DOCUMENT NO.  
SDA-90814

SCALE 5:1  
DESIGN UNITS METRIC  
THIRD ANGLE PROJECTION  
PICOFLEX SMT HEADER  
MOLEX INCORPORATED  
SHEET NO. 1 OF 2  
THIS DRAWING CONTAINS INFORMATION THAT IS PROPRIETARY TO MOLEX INCORPORATED AND SHOULD NOT BE USED WITHOUT WRITTEN PERMISSION

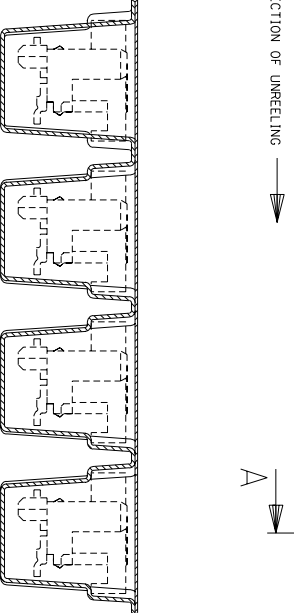
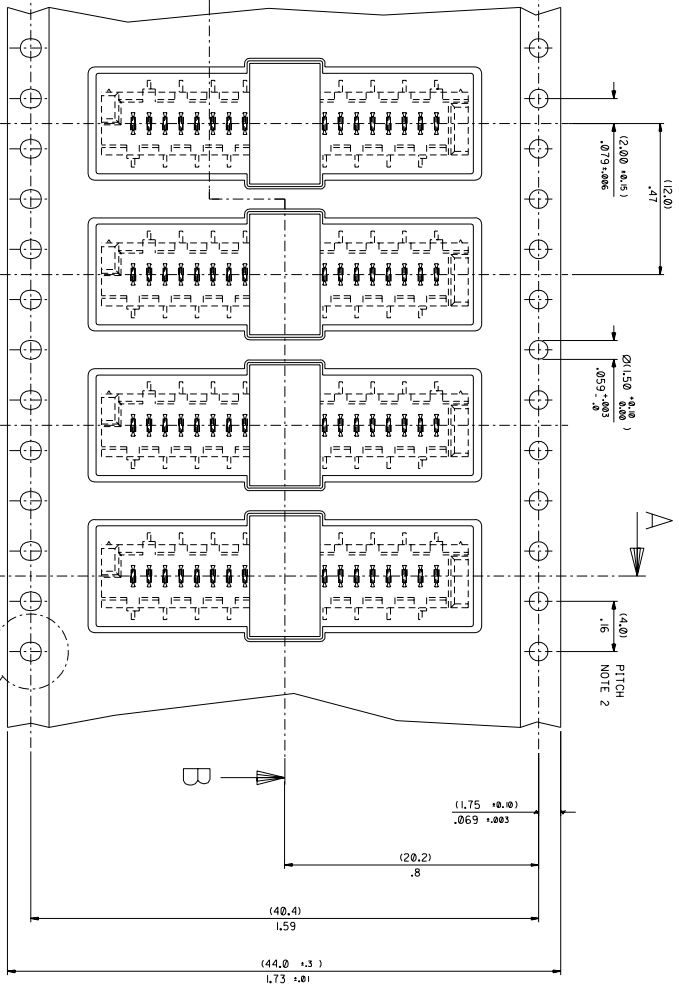
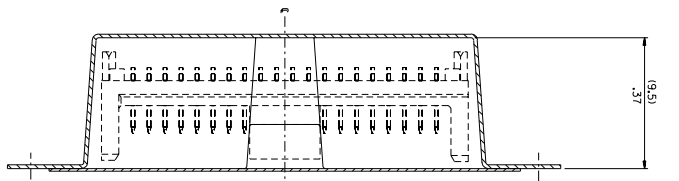
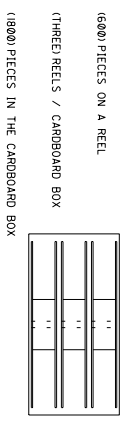




REFERENCE ONLY



REEL DIMENSIONS  
Scale 1:10



Scale 10:1

90814-2220/-+520/-+720/-+920	20
90814-2187/-+518/-+718/-+918	18
90814-2167/-+516/-+716/-+916	16
90814-2147/-+514/-+714/-+914	14
90814-2127/-+512/-+712/-+912	12
90814-2107/-+510/-+710/-+910	10
90814-2087/-+508/-+708/-+908	8
90814-2067/-+506/-+706/-+906	6
90814-2047/-+504/-+704/-+904	4
PART NO.	NUMBER OF PCKTS

MOLEX REEL  
TO CUSTOMER ASSEMBLY MACHINE

NOTES:

- 1) MATERIAL : VOLUME NON-CONDUCTIVE ANTISTATIC COATED POLYSTYRENE. CARRIER TAPE : 0.25 MM REF. CLEARANCE (0.06) 0.02 REF THICK . TRANSPARENT
- 2) PITCH TO FLANGE OVER ANY 10 PITCHES ± (0.2) 0.008
- 3) PEEL FORCE OF THE COVER TAPE IS 0.1N TO 1.0N AT A MAXIMUM PEEL SPEED OF (300) 1.81/mn±10%
- 4) PACKAGING SPEC. TBA
- 5) REFERENCE TO IEC 286-3

REV	DESCRIPTION	QUALITY SYMBOLS	GENERAL TOLERANCES (UNLESS SPECIFIED)	SCALE	DESIGN UNITS	THIRD ANGLE PROJECTION	DIMENSIONS:
			MM INCH		MM INCH		MM INCH
F	INCR POL PEG WTH EC NO. 2003-1158 DRWN: J DENNEHY 03/04/30 CHK: APPR:	MAJOR $\blacktriangle$ MINOR $\blacktriangle$ CRITICAL $\blacktriangle$ ANGULAR $\angle$	2 PLACES ±0.05 3 PLACES ±0.03 1 PLACE ±0.01		MM DIM INCH	<input checked="" type="checkbox"/> THIRD ANGLE PROJECTION	SMT REF. ON CAD ONLY
			4 PLACES ±0.01 3 PLACES ±0.01 2 PLACES ±0.01 1 PLACE ±0.01		MM DIM INCH	<input type="checkbox"/>	SHEET NO. OF 2
					MM DIM INCH	<input type="checkbox"/>	SIZE
					MM DIM INCH	<input type="checkbox"/>	

DRAFT WHERE APPLICABLE MUST REMAIN WITHIN DIMENSIONS  
THIS DRAWING CONTAINS INFORMATION THAT IS PROPRIETARY TO MOLEX INCORPORATED AND SHOULD NOT BE USED WITHOUT WRITTEN PERMISSION.

